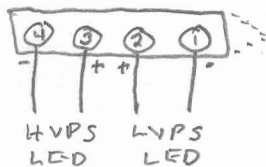
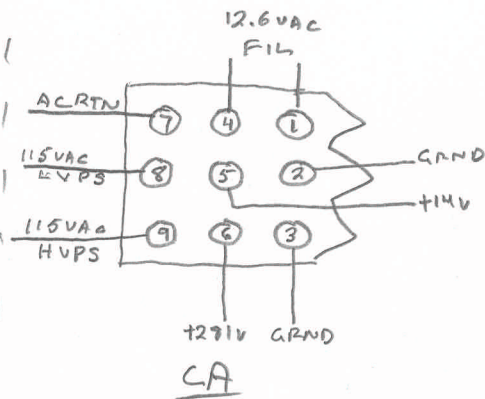


CA

INSIDE CHASSIS VIEW

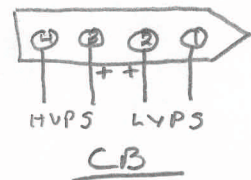


CB



CA

OUTSIDE CHASSIS VIEW



POWER SUPPLY

FINAL 10/31/15